



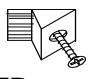










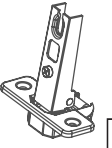


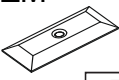
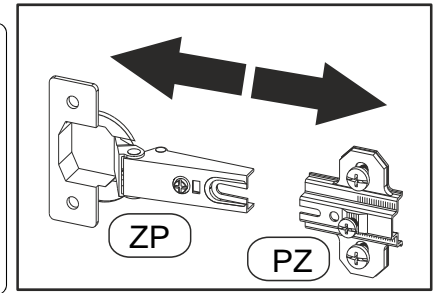
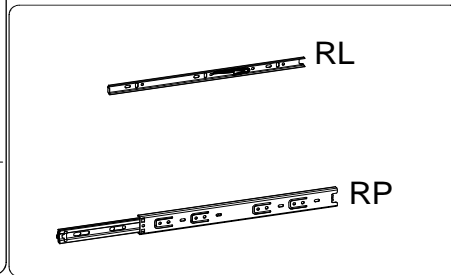
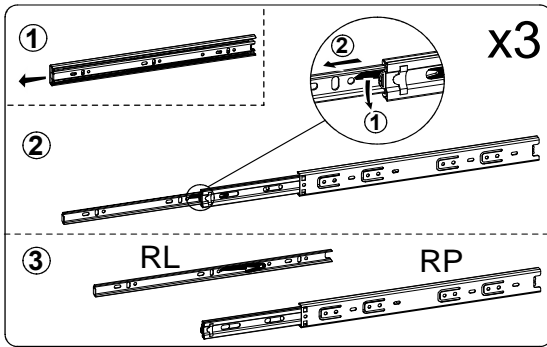
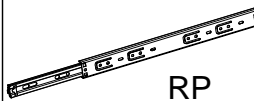


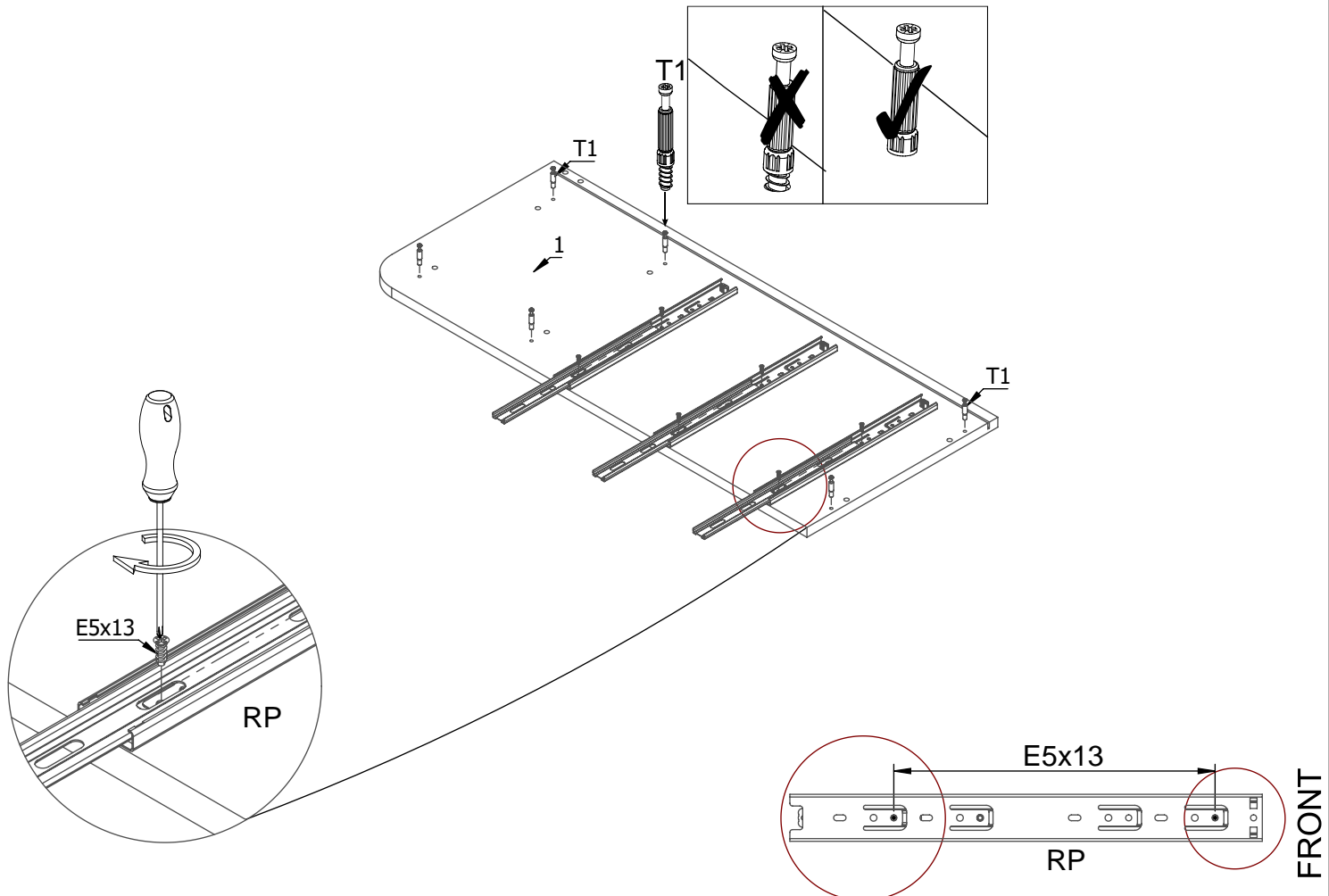
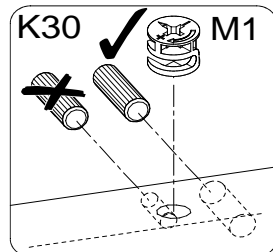
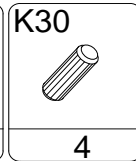
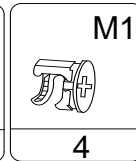
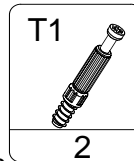
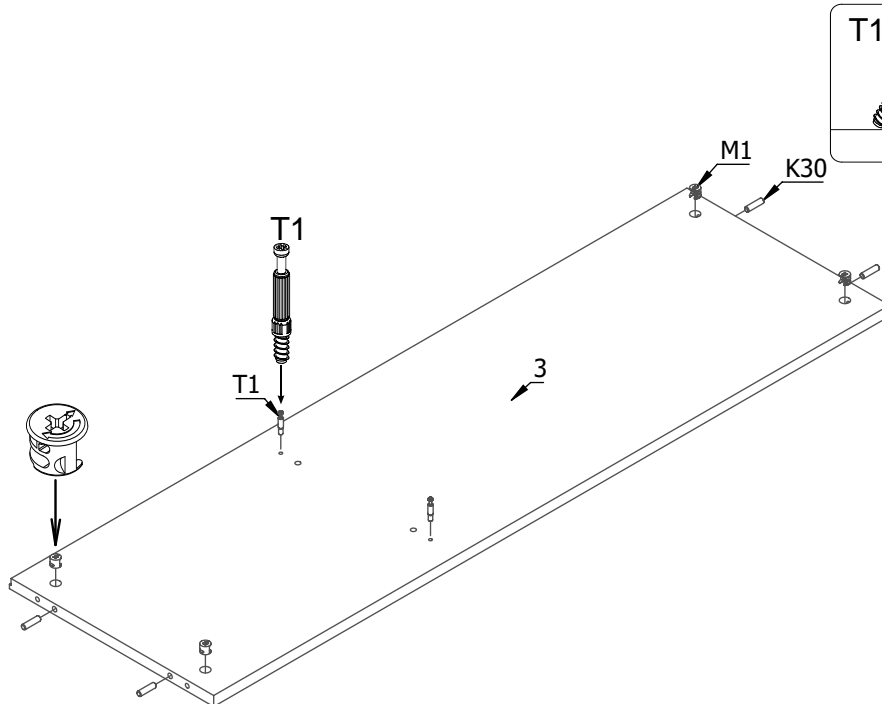
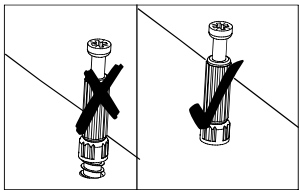
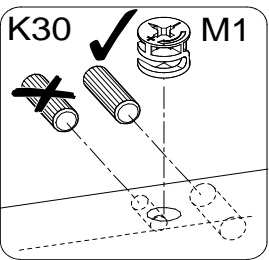
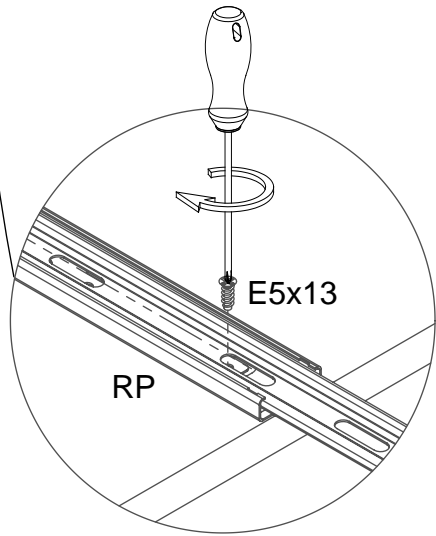
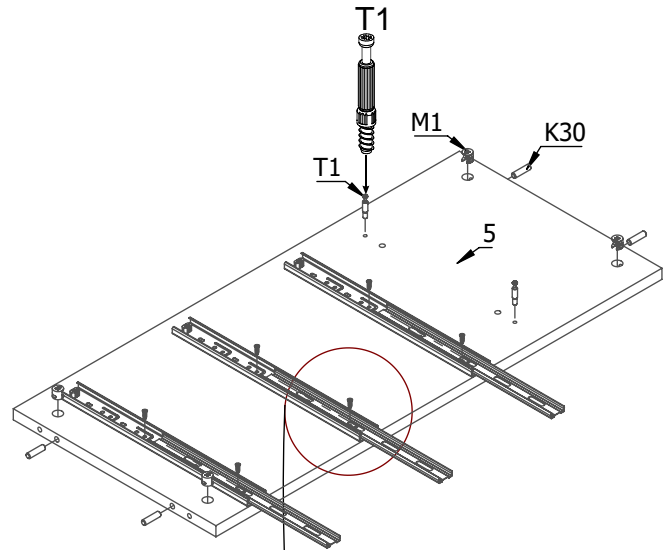
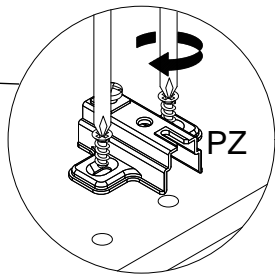
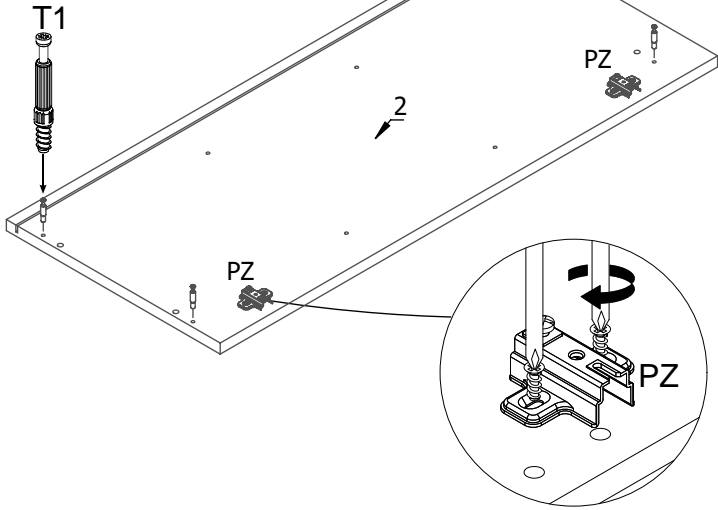
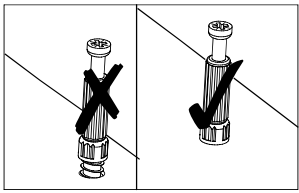
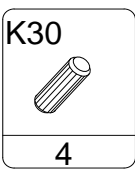
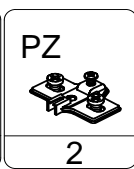
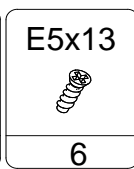
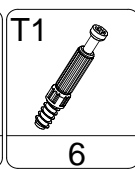
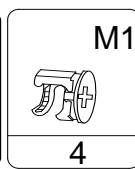
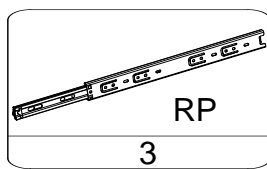



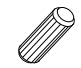


K30  36	T1  28	M1  28	X  28	STB  7	UM  4	4.0x30  1
KF  6	W4x16  4	MF  5	SM  5	E5x13  24	M22  4	
Q  1	W3x16  5	ZP  2	PZ  2	PP  8	ZM  5	

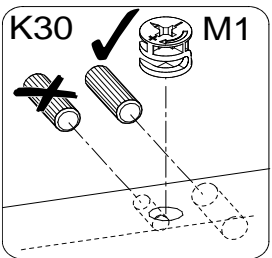
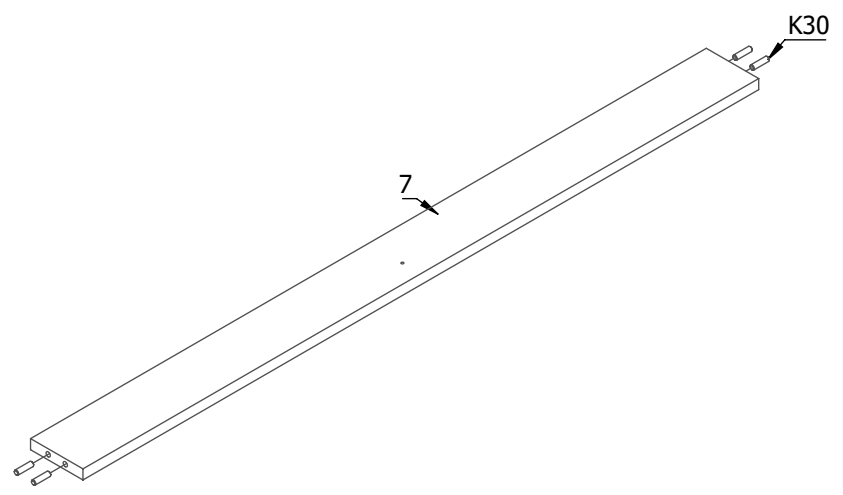
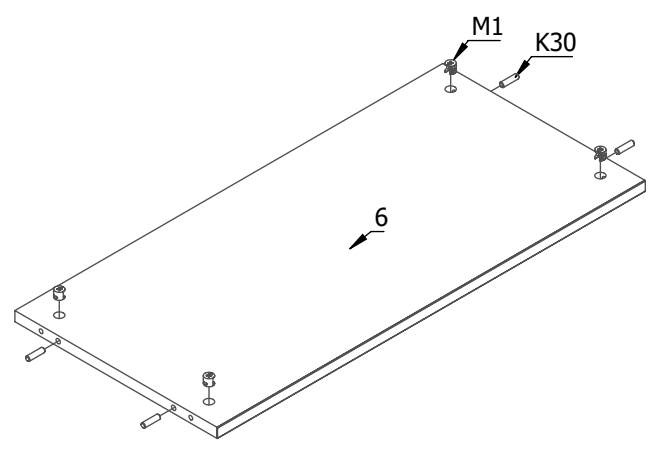
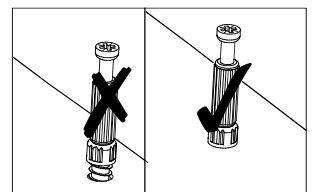
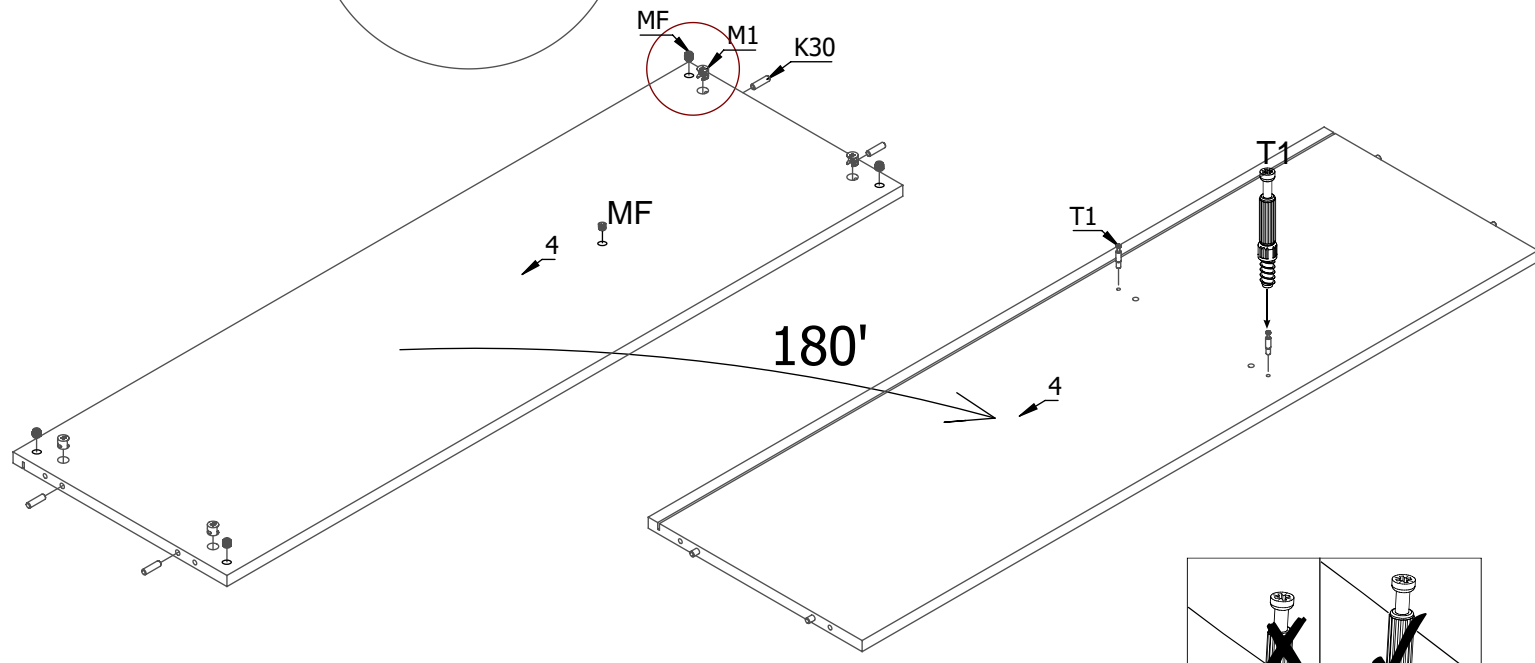
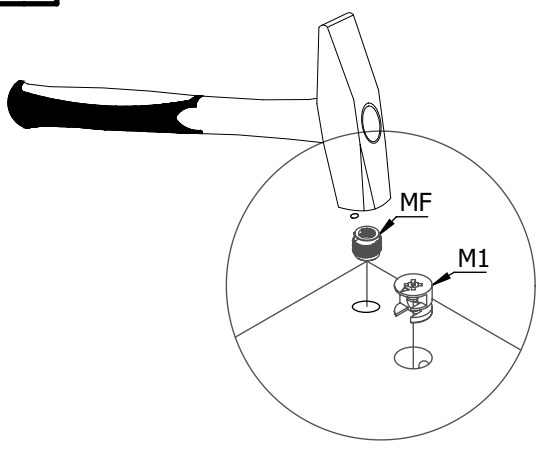




 RP 3	 E5x13 6	 T1 6
--	---	--

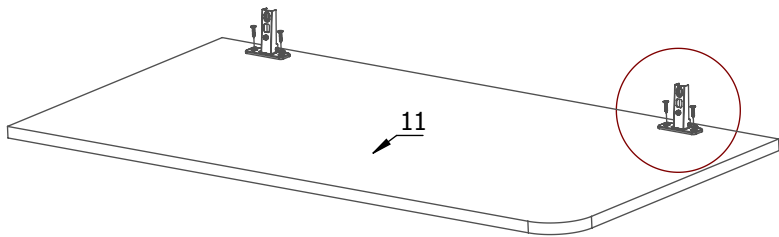
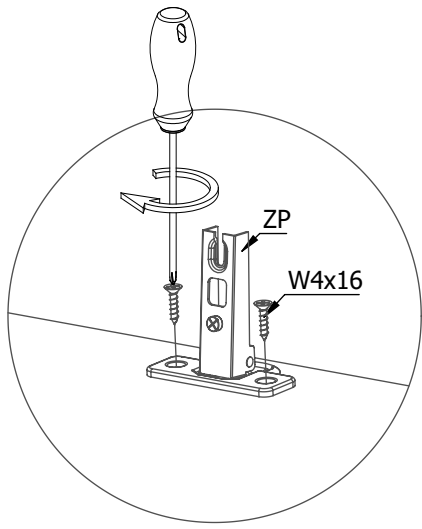








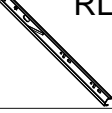


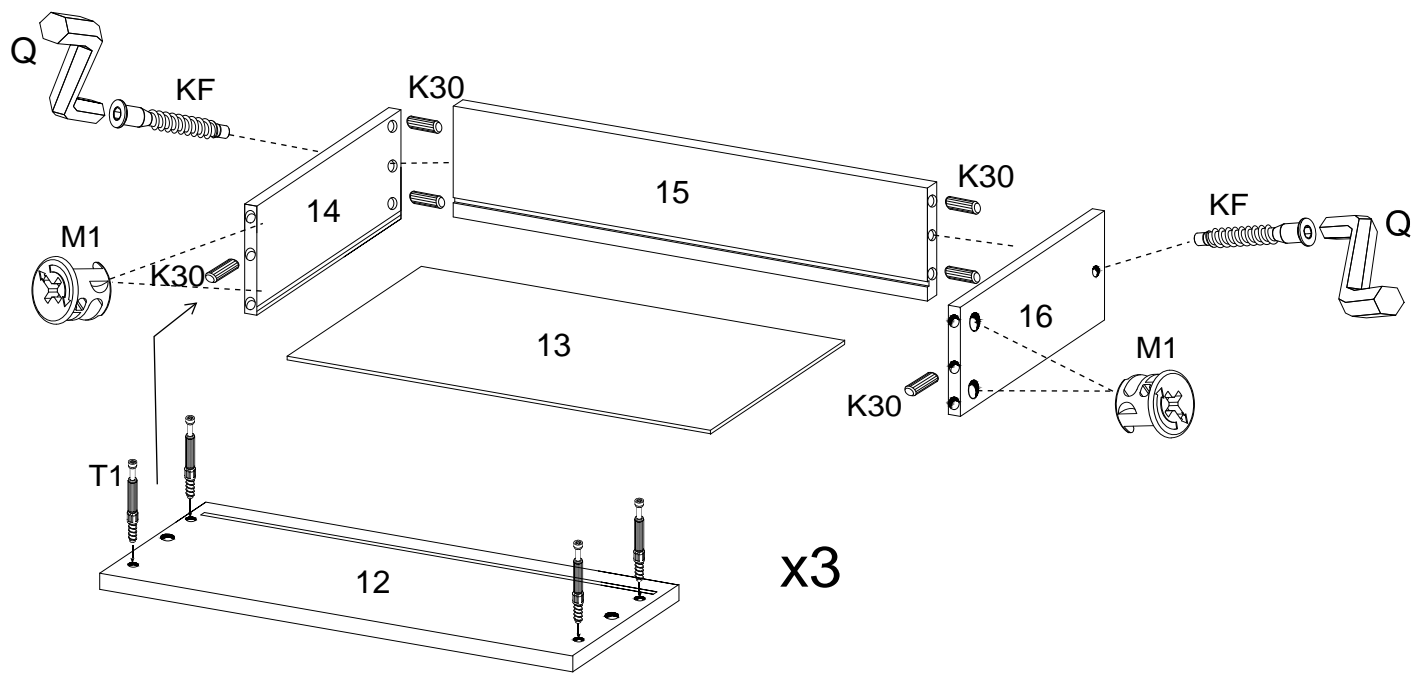
M1  8	K30  12	MF  5
T1  2		



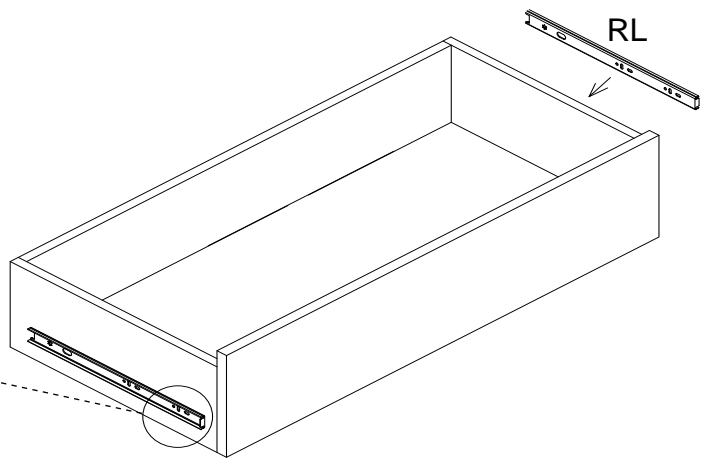
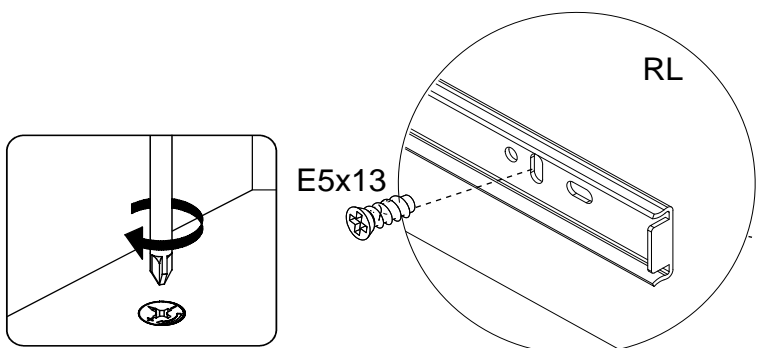
ZP	W4x16
	
2	4

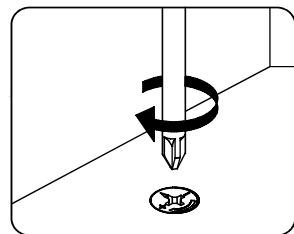
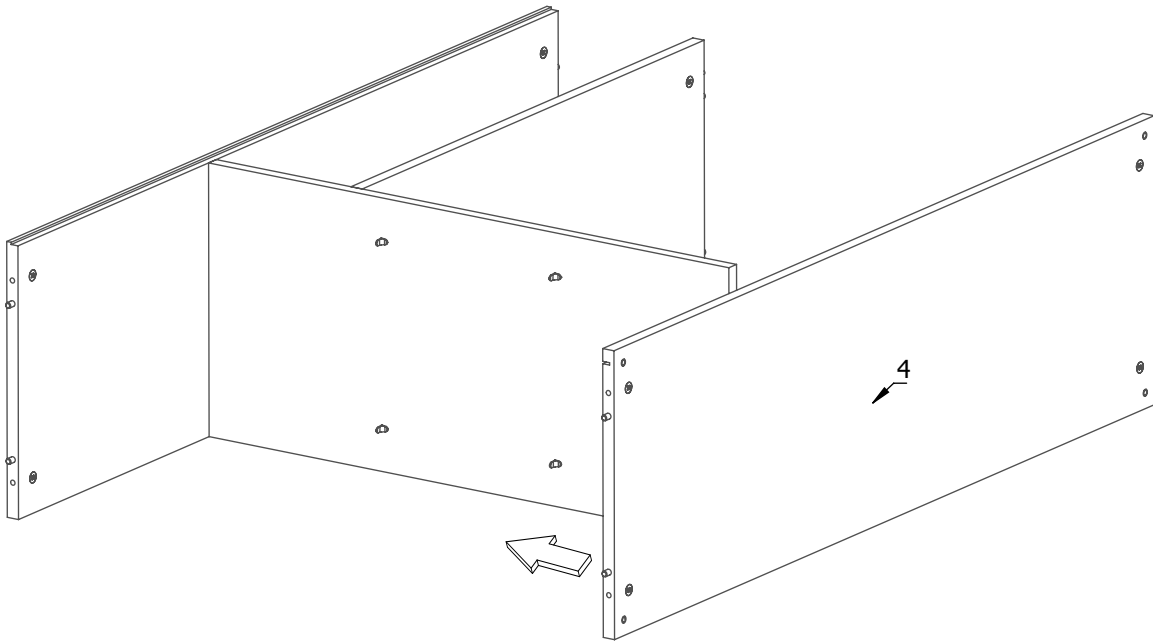
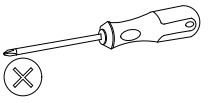
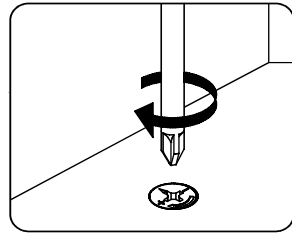
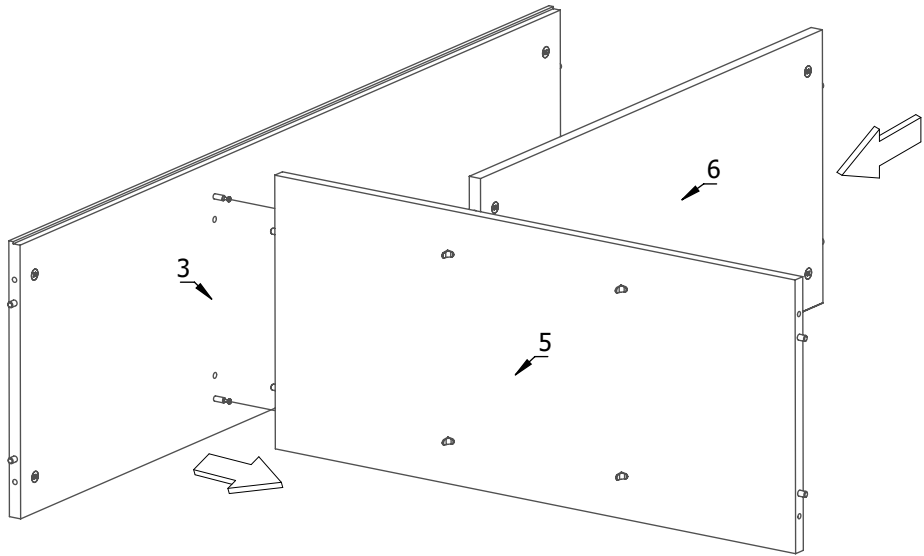
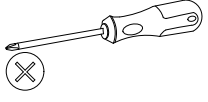


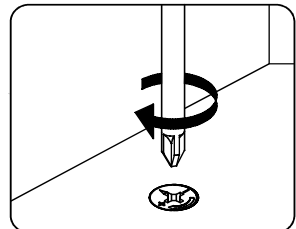
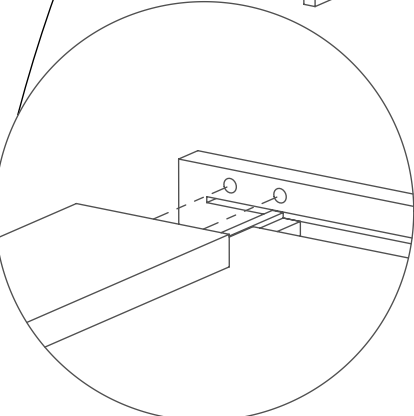
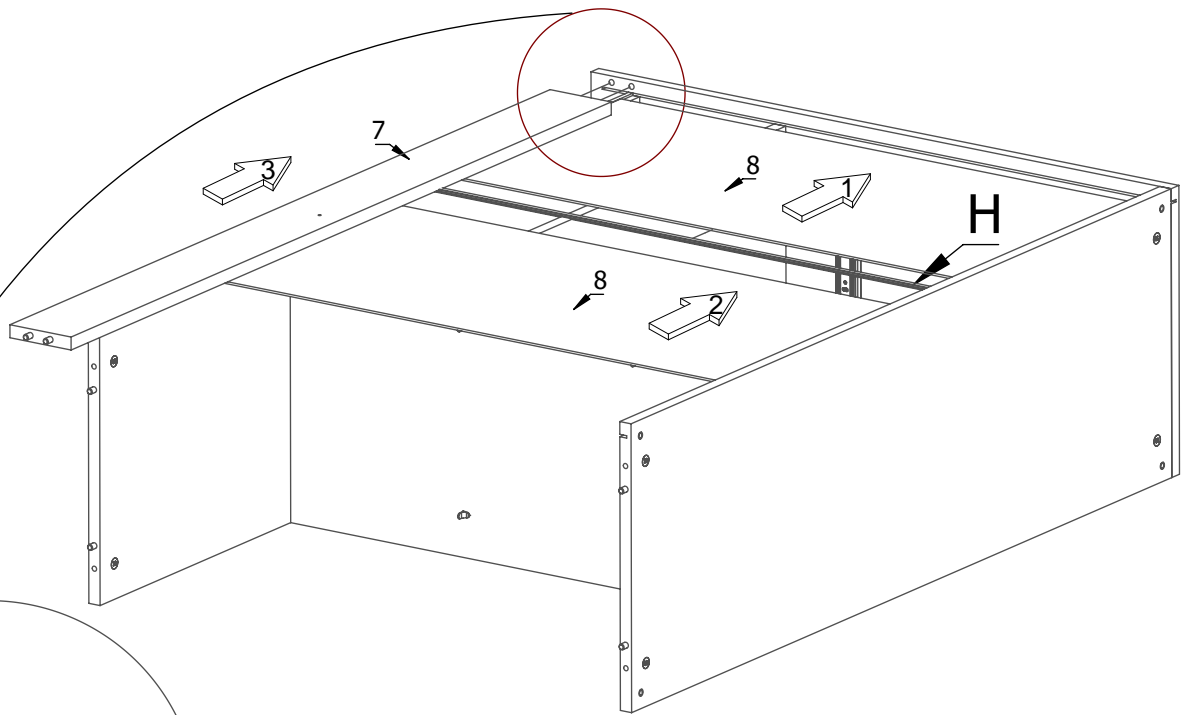
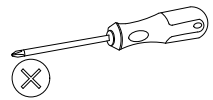
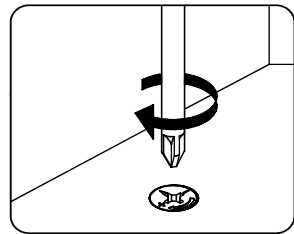
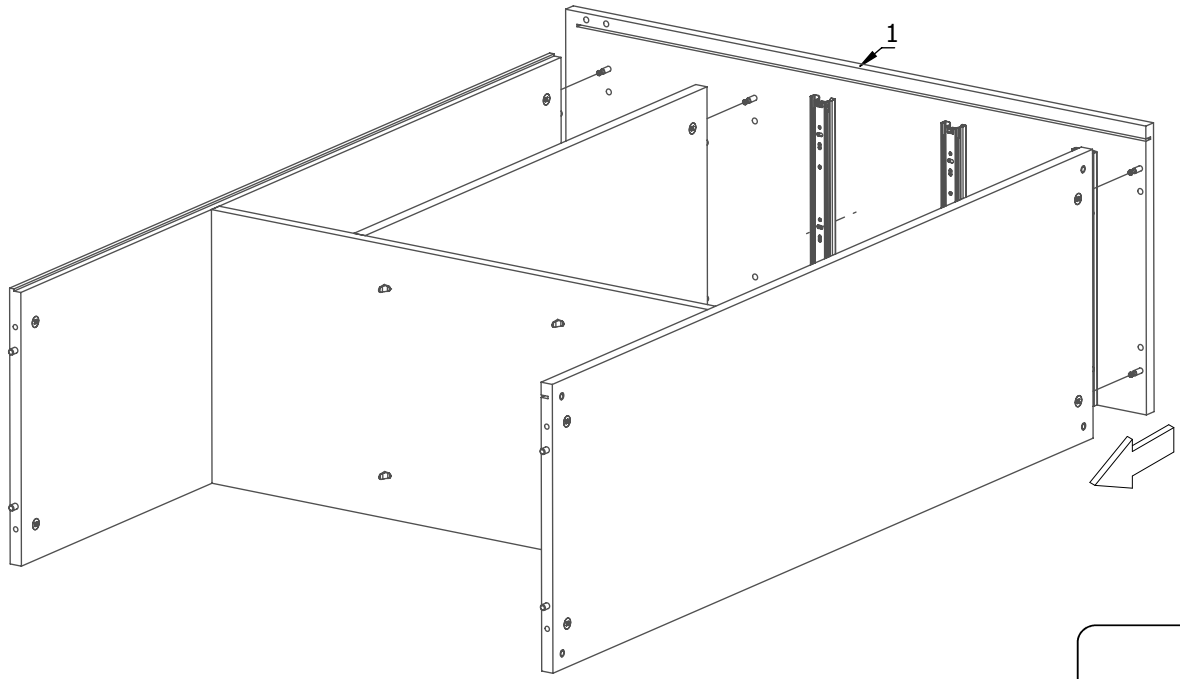
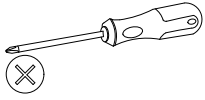
M1	K30	T1	E5x13	KF	Q	RL
						
12	18	12	12	6	1	6

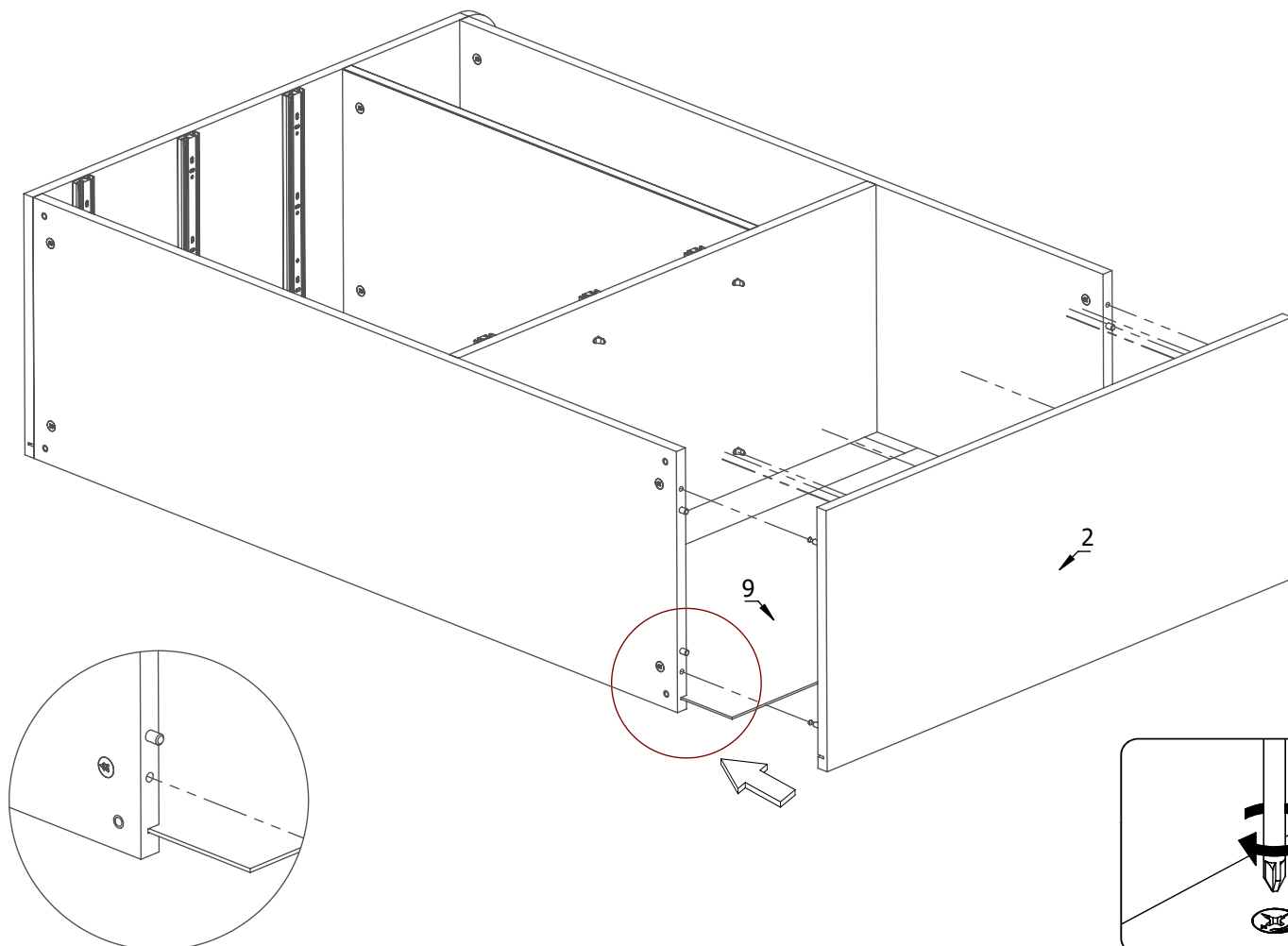
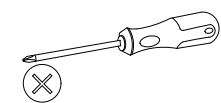
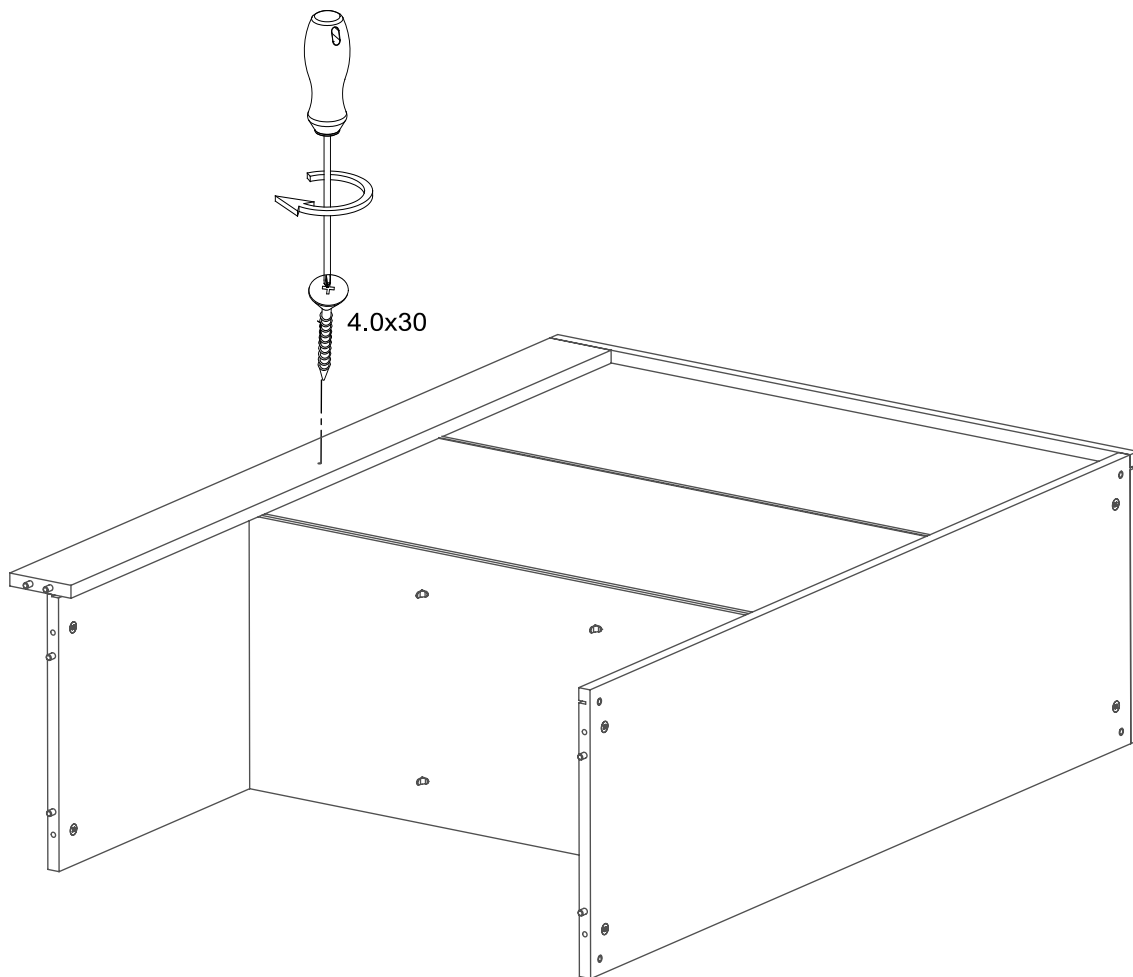
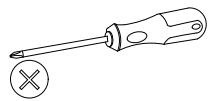


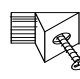

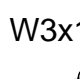

x3

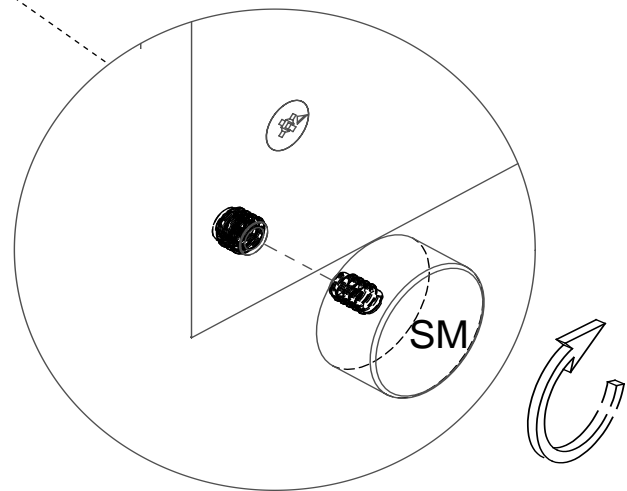
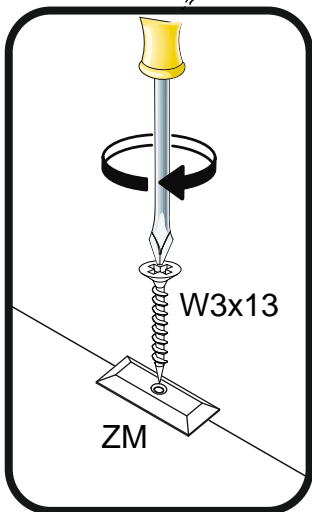
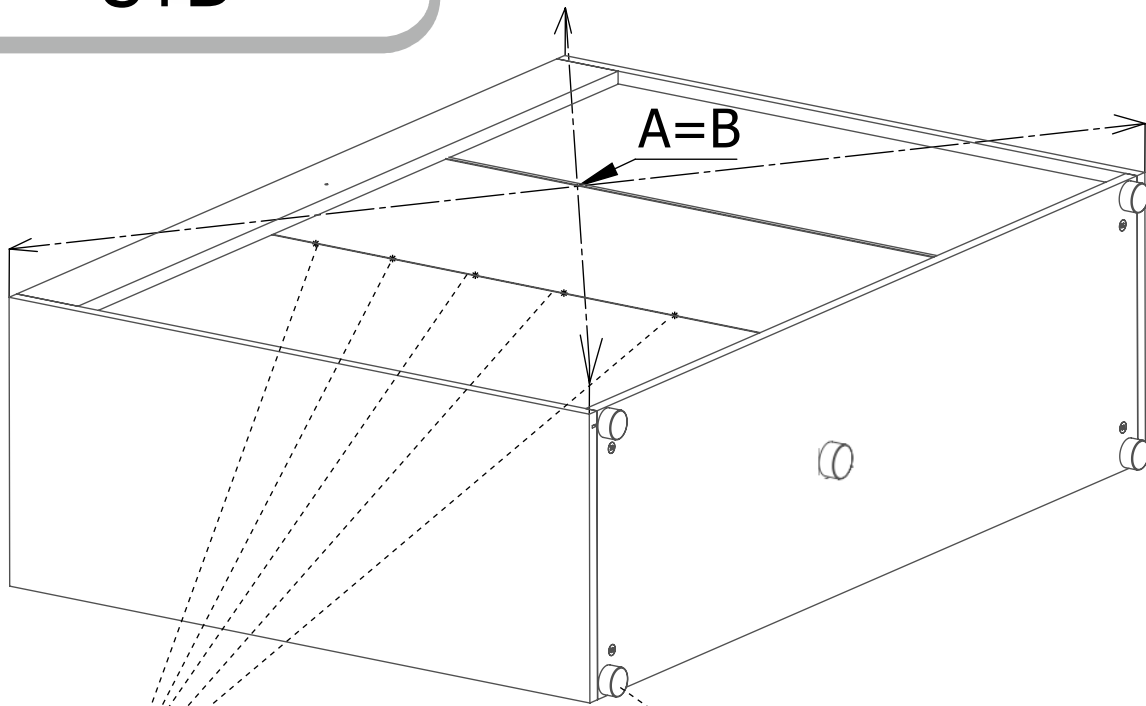
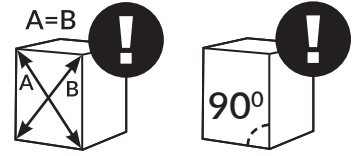
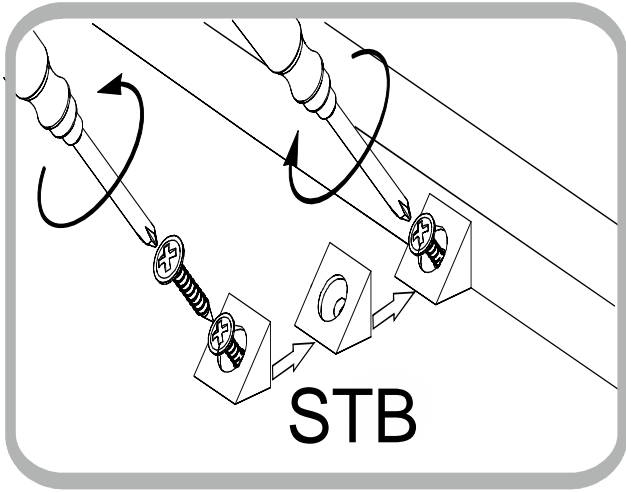












 STB	 SM	 W3x13	 ZM
7	5	5	5



 M22 4	 X 28	 UM 4	 PP 8
--	---	--	---

